

Main office:
Adress: 02222, Kyiv, Ukraine
22, Zakrevskogo str.
Phone: +38 044 501 39 44
Fax: +38 044 501 39 44
Website: www.opertec.tv
E-mail: office@opertec.tv
www.facebook.com/OperTecWorld
www.instagram.com/opertec

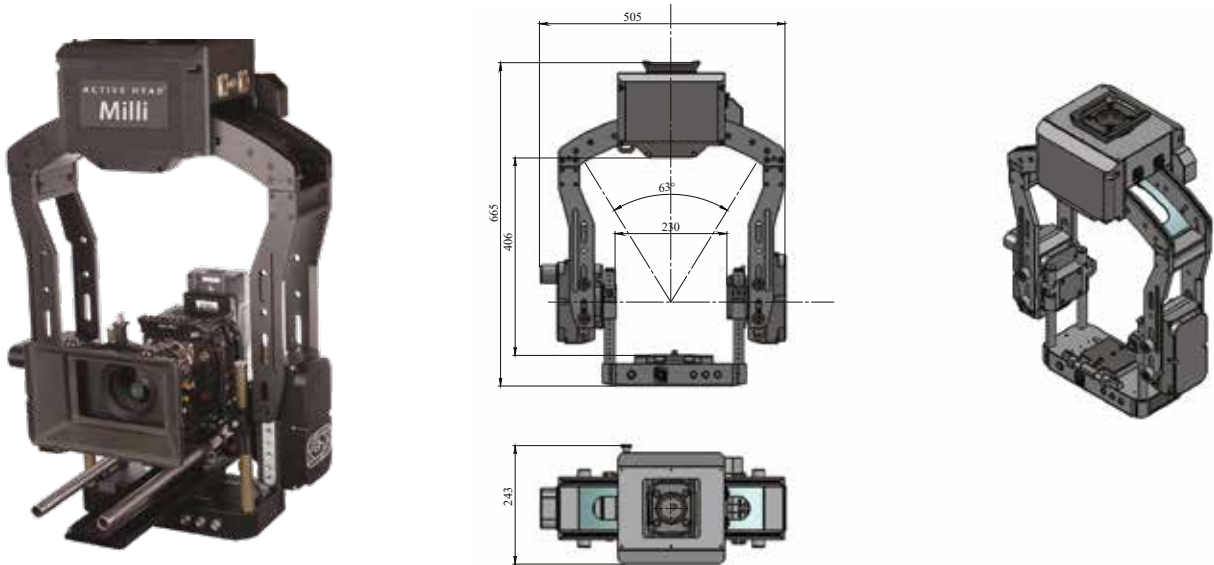


OperTec

Active Head Milli

► Gyro-stabilized head Active Head Milli ►

This generation of digital heads shows high stabilization performance, regardless of its compact size and light weight. Easy balancing technology allows to save rigging time. The head is equipped with a digital lens control system that adds functionality and flexibility. It's available with a variety of control options such as Handwheels, Joystick and Pan Bar*.



► Features: ►

- Improved stabilization level which allows to achieve a balanced picture even under extremely rough and difficult operating conditions;
- High angular velocity on all axes;
- Compact Size and Light Weight;
- Fast and effective rebalancing and calibration;
- Solid and reliable construction;
- Quick Assembly;
- Axis position indication;
- Remote controlled handling of lens Parameters (Focus, Iris, Zoom);
- Auto horizon;
- Control capability by cable or wireless.

Height	665 mm/ 26.1 in
Widht	505 mm/ 19.8 in
Depth	243 mm/ 9.5 in
Power Supply AC	(90-264V); 500W(peak)
Power Supply DC	(19-72V); 500W(peak)
Pan angular speed	270 deg/sec
Tilt angular speed	270 deg/sec
Roll angular speed	270 deg/sec
Weight	18 kg/ 39.7 lbs
Maximum usable focal length	250 mm
Payload	25 kg/ 55 lbs

This model fits for all of the common types of Cranes, Remote Controlled Platforms and Helicopter/Aerial Systems.

*Pan Bar on request

